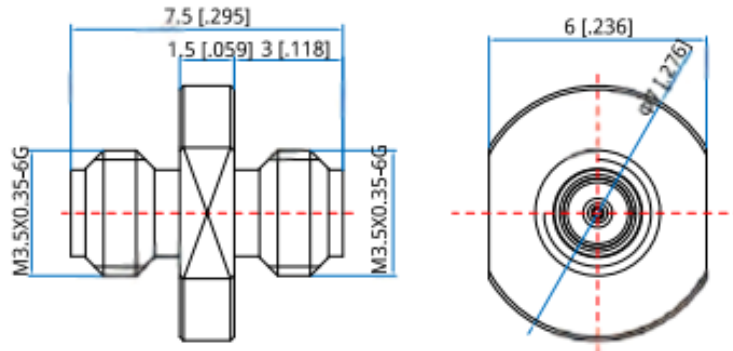


SRFS TELEINFRA

Coaxial Adaptor 0.8mm (F) to 0.8mm (F)

Get connected with us:



Electrical Specifications	
Frequency	DC~145GHz
Impedance	50Ω
RF Connectors	0.8mm
Connector 1	0.8mm (F)
Connector2	0.8mm (F)
Outer Conductor	Stainless steel
Dielectric	PEI
Inner Conductor	Beryllium copper

Add: plot no 10 shiv vihar a block Najafgarh Sahibi river road Vikasnagar Uttam nagar new delhi-110059

+91 84354 74330 info@srfsteinfra.in, sales@srfsteinfra.in

www.srfsteinfra.in, www.srfsteinfra.com

SRFS Teleinfra | All specifications are subject to change.
SRFS reserves the right to make such changes as required. Unless otherwise stated, all specifications are nominal.
It may be necessary to make modifications to the part and/or the documentation of the part to implement improvements.
See www.srfsteinfra.in for the most current information. Revised: 19 Jan 2023

