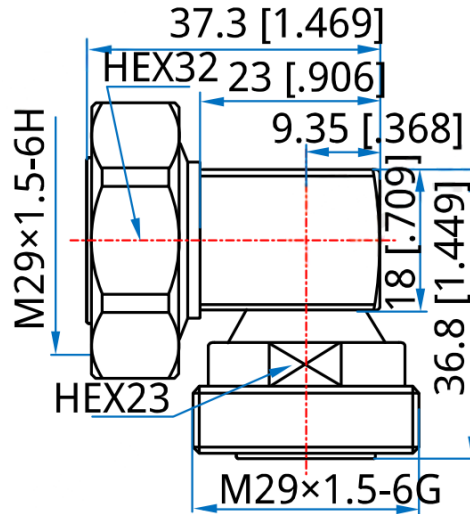


7/16 DIN Male to 7/16 DIN Female RA RF Adaptor

Part No.-SRFS-7/16DINMF-RA-6



Electrical ,Mechanical and Environmental Specifications	
Impedance	50Ω
Frequency range	DC-6GHZ
Dielectric withstanding voltage	4000V RMS, 50Hz, at sea level
Working Voltage	2700V RMS, 50Hz, at sea level,
VSWR	1.15@DC-3GHz 1.4@3-6GHz
Connector1	7/16 Male
Connector2	7/16 Female
Mating Cycle	500 cycles min
Outer Conductor	Ternary alloy plated brass
Dielectric	PTFE
Inner Conductor	Silver plated brass
Temperature range	-45°C - 85°C