

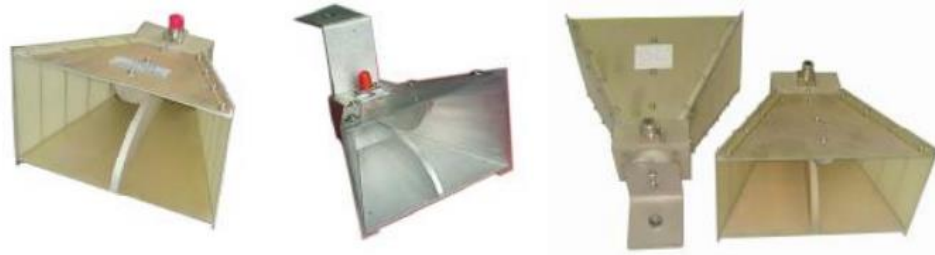
SRFS TELEINFRA

Get connected with us:

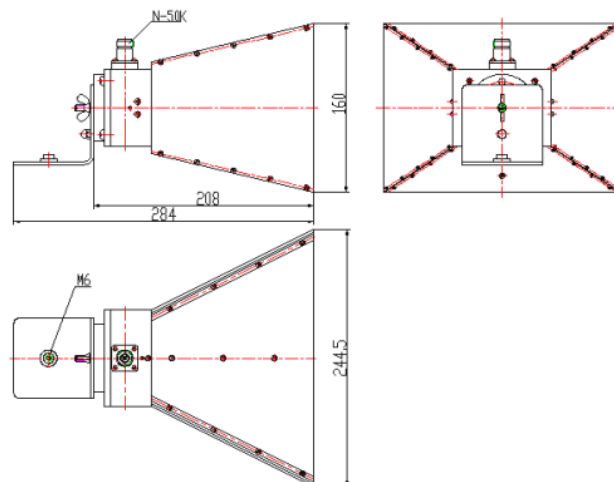
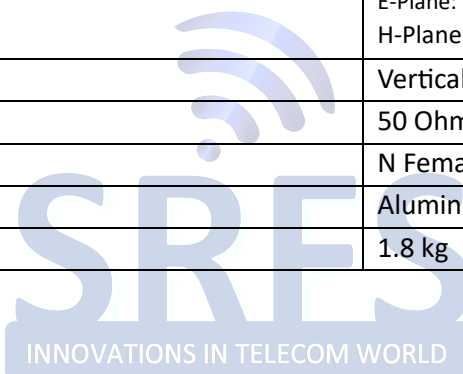


Wideband Dual-ridged Horn Antenna

Part No. SRFS-NF-DRHA



Electrical & Mechanical Specification	
Frequency Range	1-12 GHz
VSWR (Max)	2.5
Gain (Avg)	12 dB@6 GHz
Beamwidth (Avg)	E-Plane: 40.00° @ 6GHz H-Plane: 34.15° @ 6GHz
Polarization	Vertical or Horizontal
Input Impedance	50 Ohm
Connector type	N Female
Material	Aluminum
Weight	1.8 kg



Add: plot no 10 shiv vihar a block Najafgarh Sahibi river road Vikasnagar Uttam nagar new delhi-110059

+91-9027232570, +91-8800726650, +91 8076749052 info@srfsteleinfra.in, info@srfsteleinfra.com, srfsteleinfra@gmail.com

www.srfsteleinfra.in, www.srfsteleinfra.com

SRFS Teleinfra | All specifications are subject to change.
SRFS reserves the right to make such changes as required. Unless otherwise stated, all specifications are nominal.
It may be necessary to make modifications to the part and/or the documentation of the part to implement improvements.
See www.srfsteleinfra.in for the most current information. Revised: 19 Jan 2023

