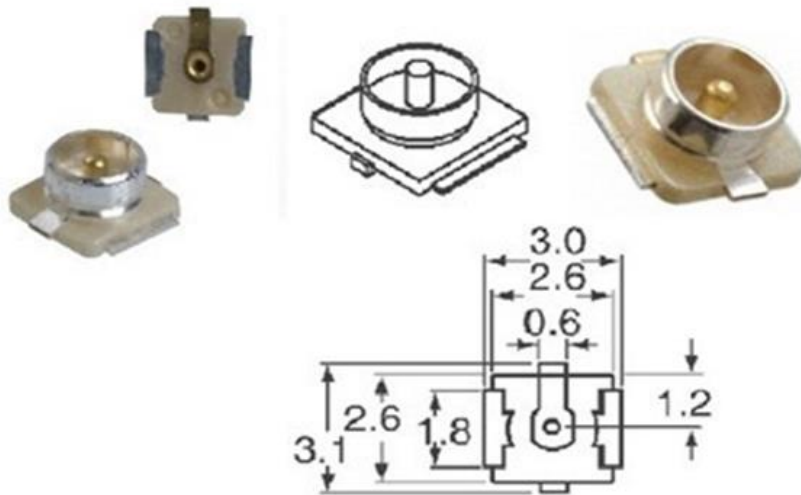


# SRFS TELEINFRA

Get connected with us:



## UFL Receptacle PCB Mount Connector



Electrical & Mechanical Specifications	
Frequency:	0~6GHz
Working Voltage	200V
Impedance:	50Ω
Contact Resistance	10mA (max)
VSWR	<1.4
Body Metal Parts	Brass With Gold Plated
Center Contact	Phosphor Bronze with Gold Plated
Insulator	PTFE
Operating Temperature:	-40°C TO +90°C

Add: plot no 10 shiv vihar a block Najafgarh Sahibi river road Vikasnagar Uttam nagar new delhi-110059

+91 84354 74330 info@srfsteinfra.in, aayush@srfsteinfra.in, srfsteinfra@gmail.com

www.srfsteinfra.in, www.srfsteinfra.com

SRFS Teleinfra | All specifications are subject to change.  
SRFS reserves the right to make such changes as required. Unless otherwise stated, all specifications are nominal.  
It may be necessary to make modifications to the part and/or the documentation of the part to implement improvements.  
See www.srfsteinfra.in for the most current information. Revised: 19 Jan 2023

