

Stainless Steel Clamp for 7/8" Leaky Cable Wedge Anchor

Description

Description: Stainless Steel Cable Clamps are used to provide Fire Resistant installations of Radiating Cables in mountain area, hill, tunnel, underground railway, underground building with or without spacer s. The installation is very simple and quick. To limit the interference that could be caused by Metal Objects on the RF field generated by a Radiating Cable, only every 10th fixing should be metallic.

Features/Benefits

Cable Clamps for Radiating Cables, SRFS radiating cable clamps offer a wide range of solutions for a fast and secure installation of cables in railway, motorway, and underground tunnels.



MECHANICAL SPECIFICATIONS	
Product Line	Product Line RF Cable Accessories
Product Type	Installation Hardware
Clamp Type	Stainless steel clamp for Leaky Cable
Cable Size	7/8
Color	Silver and Black
Material	SS, PP FRLSZH
Axial Load Capability	8 X7/8 LCX Cable Weight per mtr
Corrosion Resistance	> 500 hours of the salt spray chamber
UV Resistance	>100 hours of accelerated UV Life Chamber
Operating Temperature	-40 °C to +85°C
MECHANICAL SPECIFICATIONS	
Self-Locking Clamp-1 pcs	Stainless Steel SS304 or SS316
M8 Screw	Stainless Steel SS304 or SS316
M8 Coupler	Stainless Steel SS304 or SS316
Wedge Anchor Fastener	Stainless Steel SS304 or SS316
M8 Nut	Stainless Steel SS304 or SS316
M8 Washer	Stainless Steel SS304 or SS316
M8 Spring Washer	Stainless Steel SS304 or SS316
Round Base - 1 pcs	PP -FRLSZH

Add: plot no 10 shiv vihar a block Najafgarh Sahibi river road Vikasnagar Uttam nagar new delhi-110059

+91 84354 74330 info@srfsteleinfra.in, aayush@srfsteleinfra.in, srfsteleinfra@gmail.com

www.srfsteleinfra.in, www.srfsteleinfra.com

SRFS Teleinfra | All specifications are subject to change.
SRFS reserves the right to make such changes as required. Unless otherwise stated, all specifications are nominal.
It may be necessary to make modifications to the part and/or the documentation of the part to implement improvements.
See www.srfsteleinfra.in for the most current information. Revised: 19 Jan 2023



SRFS TELEINFRA

Get connected with us:



Stainless Steel Clamp for 7/8" Leaky Cable Wedge Anchor



Self-Locking Clamp



M8 Coupler



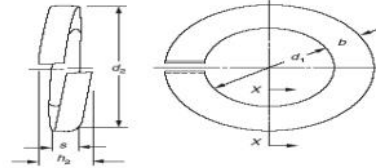
M8 Screw



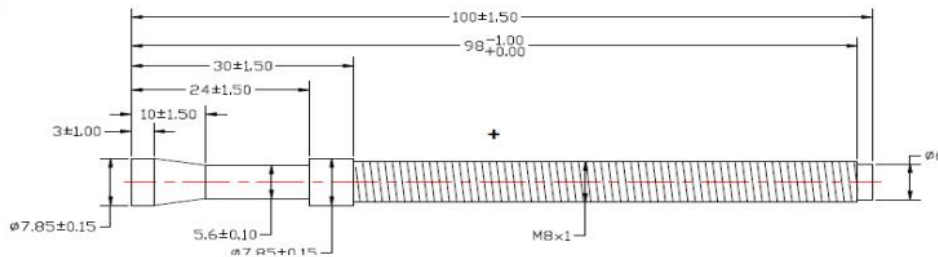
M8 Washer



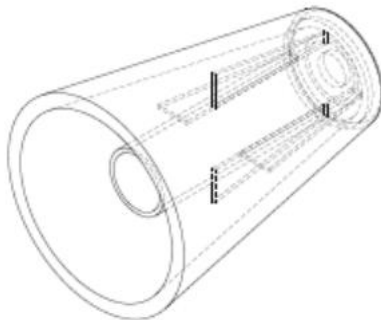
M8 Washer



M8 Spring Washer



Wedge Anchor Fastener



Round Base



Assembly of 7/8 SS Clamp

Add: plot no 10 shiv vihar a block Najafgarh Sahibi river road Vikasnagar Uttam nagar new delhi-110059
+91 84354 74330 info@srfsteleinfra.in, aayush@srfsteleinfra.in, srfsteleinfra@gmail.com
www.srfsteleinfra.in, www.srfsteleinfra.com

SRFS Teleinfra | All specifications are subject to change.
SRFS reserves the right to make such changes as required. Unless otherwise stated, all specifications are nominal.
It may be necessary to make modifications to the part and/or the documentation of the part to implement improvements.
See www.srfsteleinfra.in for the most current information. Revised: 19 Jan 2023



SRFS TELEINFRA

Get connected with us:



Stainless Steel Clamp for 7/8" Leaky Cable Wedge Anchor



Self-Locking Clamp



Round Base



M8 Nut



M8 Screw



M8 Screw



Wedge Anchor Fastener



M8 Washer



M8 Spring Washer



Assembly of 7/8 SS Clamp

