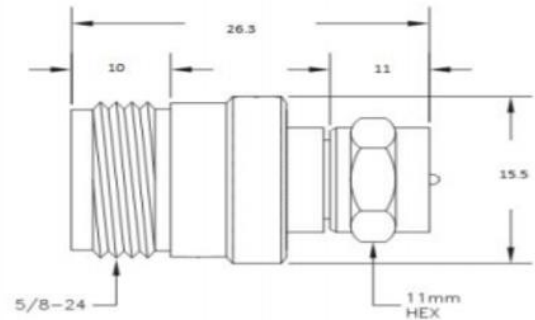


## N Female to F Male Adaptor



Electrical & Mechanical Specifications		
Characteristics Impedance	75 ohm	
Frequency Range	DC-3GHz	
VSWR	≤1.25 @DC-3GHz	
Dielectric Withstanding Voltage	≥2500V RMS,50Hz,at sea level	
Working Voltage	1000Vrms,50 Hz at sea level	
Contact Resistance	Center Contact ≤ 1.0 mΩ Outer Contact ≤ 0.25 mΩ	
Dielectric Resistance	≥5000MΩ	
Durability	Mating cycles ≥500	
Material & Plating		
	Material	Plating
Body	Brass	Ni
Insulator	PTFE	-
Center conductor	Phosphor bronze	Au
Environmental Specification		
Temperature Range	-40°C~+100°C	
Waterproof Rate	IP 68	
RoHS Compliant	Yes	