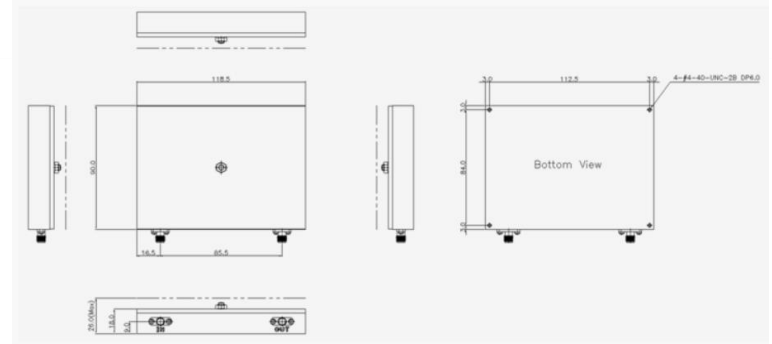


# SRFS TELEINFRA

Get connected with us:



## Band Pass Filter / 4400~4625MHz



### Electrical & Mechanical Specifications

Frequency Range	4400~4625MHz
Insertion Loss in BW	1.0dB max
Bandwidth	225MHz min.
Return Loss	15.0 dB min.
Attenuation (Min)	90dB @4325MHz 90dB @4700MHz
Power handling	20 W (CW)
Operating Temp. Range	-20 ~ +70 C
Dimension (WxDxH)	118.5 x 90 x 26mm
Connector	SMA TYPE Female

Add: plot no 10 shiv vihar a block Najafgarh Sahibi river road Vikasnagar Uttam nagar new delhi-110059

+91 7838349349 info@srfsteleinfra.in, sales@srfsteleinfra.in, srfsteleinfra@gmail.com

www.srfsteleinfra.in, www.srfsteleinfra.com

SRFS Teleinfra | All specifications are subject to change.  
SRFS reserves the right to make such changes as required. Unless otherwise stated, all specifications are nominal.  
It may be necessary to make modifications to the part and/or the documentation of the part to implement improvements.  
See www.srfsteleinfra.in for the most current information. Revised: 19 Jan 2023

