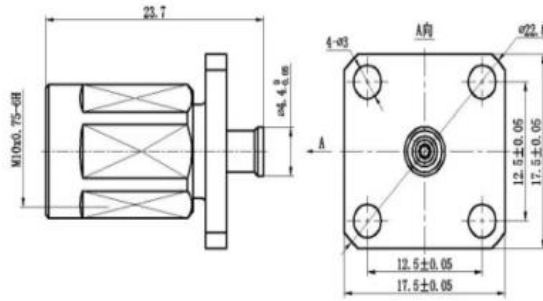


NEX10 Male Straight Flange Connector for 047 Cable Soldering



Electrical & Mechanical Specifications

Impedance	50 Ohm
Frequency range	DC-3GHz
VSWR	≤1.1
PIM3	≤-155 dBc
Dielectric Withstanding Voltage	≥1000V RMS,50Hz, at sea level
Dielectric Resistance	≥5000MΩ
Durability	Mating cycles ≥500
Temperature Range	-40°C ~ +85°C
Waterproof (1m water depth, 24hours)	IP68
RoHS	Full RoHS-Compliance

Material & Plating

Connector parts	Material	Plating
Body	Brass	Tri-Alloy plating
Contact PIN	Brass	Ag plating
Insulator	PTFE	Natural