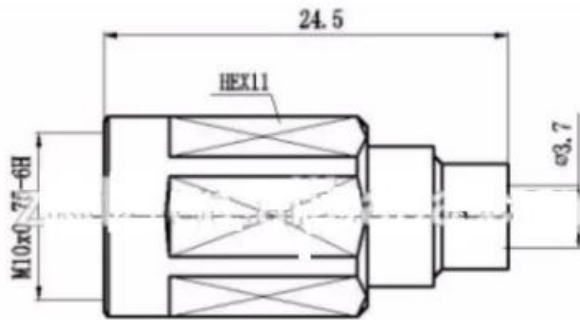


SRFS TELEINFRA

Get connected with us:



NEX10 Male Straight Connector for RG141 Crimp type



Electrical & Mechanical Specifications		
Impedance	50 Ohm	
Frequency range	DC-3GHz	
VSWR	≤1.15	
PIM3	≤-160dBc	
Dielectric Withstanding Voltage	≥1000V RMS,50Hz, at sea level	
Dielectric Resistance	≥5000MΩ	
Durability	Mating cycles ≥500	
Temperature Range	-40°C~+85°C	
Waterproof (1m water depth, 24hours)	IP68	
RoHS	Full RoHS-Compliance	
Material & Plating		
Connector parts	Material	Plating
Body	Brass	Tri-Alloy plating
Contact PIN	Brass	Ag plating
Insulator	PTFE	Natural

