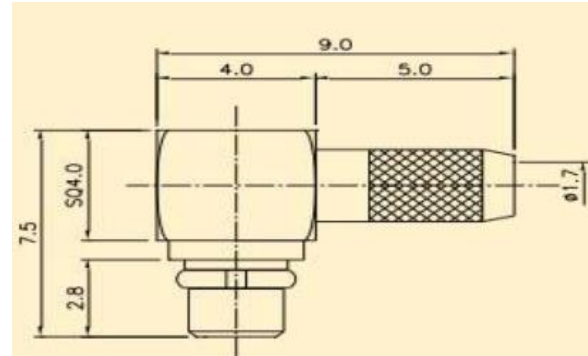


MMCX Male Right Angle for RG174, RG316



Electrical & Mechanical Specifications		
Frequency Range	DC-3GHz	
Characteristic Impedance	50 Ω	
VSWR	1:30:1	
Insulation Resistance	1000 MΩ Min	
Voltage Rating	170 Vrms	
Connector Retention	500 Cycles Min	
Contact Resistance	Center Contact ≤ 5.0 mΩ Outer Contact ≤ 2.5mΩ	
Cable Type	RG 178	
Material & Plating		
	Material	Plating
Body	Brass	Au
Insulator	PTFE	-
Ferrule	Brass	Ni
Environmental		
Temperature Range	-40°C~+85°C	
RoHS	Compliant Yes	
Waterproof Rate	IP 67	