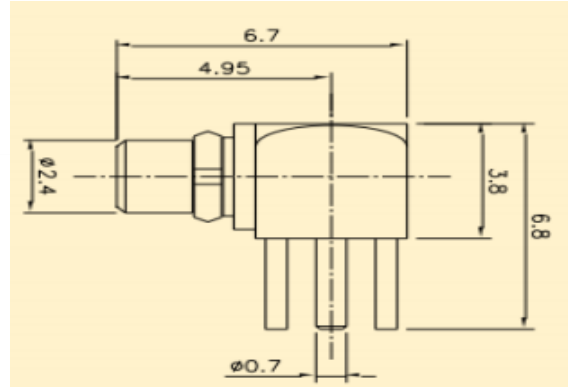
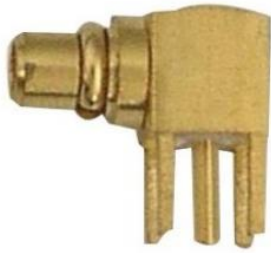


MMCX Male R.A. PCB



| Electrical & Mechanical Specifications | | |
|--|--|----------------|
| Frequency Range | DC-6 GHz | |
| Characteristic Impedance | 50 Ω | |
| VSWR | 1.25:1 | |
| Insulation Resistance | 1000 MΩ Min | |
| Voltage Rating | 170 Vrms | |
| Connector Retention | 500 Cycles Min | |
| Contact Resistance | Center Contact ≤ 5.0 mΩ Outer Contact ≤ 2.5mΩ | |
| Material & Plating | | |
| | Material | Plating |
| Body | Brass | Au |
| Center Contact | Beryllium | Au |
| Insulator | PTFE | - |
| Ferrule | Brass | Ni |
| Environmental | | |
| Temperature Range | -65°C~+85°C | |
| RoHS | Compliant Yes | |
| Waterproof Rate | IP 67 | |