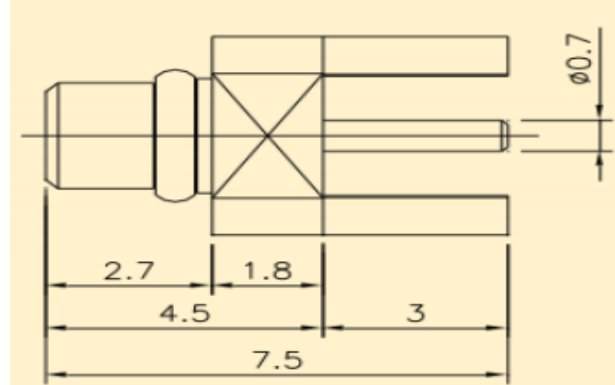
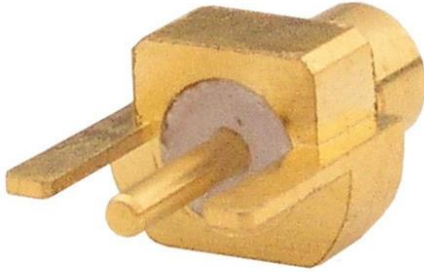


## MMCX Male End Launch



Electrical & Mechanical Specifications		
Frequency Range	DC-6 GHz	
Characteristic Impedance	50 Ω	
VSWR	1.25:1	
Insulation Resistance	1000 MΩ Min	
Voltage Rating	170 Vrms	
Connector Retention	500 Cycles Min	
Contact Resistance	Center Contact ≤ 5.0 mΩ Outer Contact ≤ 2.5mΩ	
Material & Plating		
	<b>Material</b>	<b>Plating</b>
Body	Brass	Au
Center Contact	Beryllium	Au
Insulator	PTFE	-
Ferrule	Brass	Ni
Environmental		
Temperature Range	-65°C~+85°C	
RoHS	Compliant Yes	
Waterproof Rate	IP 67	