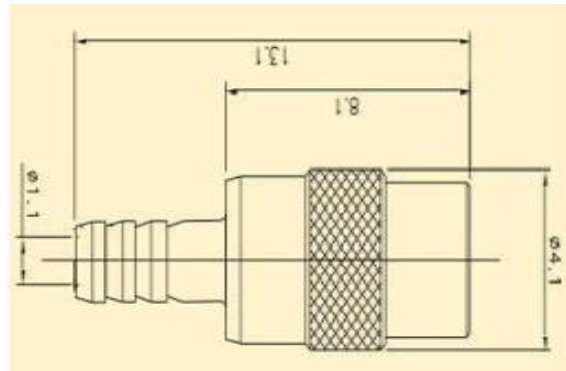


MMCX Female for RG178



Electrical & Mechanical Specifications		
Frequency Range	DC-6GHz	
Characteristic Impedance	50 Ω	
VSWR	≤1.25@DC-3000MHz	
Dielectric Withstanding Voltage	750V RMS,50Hz,at sea level	
Working Voltage	250Vrms,50 Hz at sea level	
Dielectric Resistance	≥1000MΩ	
Contact Resistance	Center Contact ≤ 5.0 mΩ Outer Contact ≤ 2.5 mΩ	
Durability	Mating cycles ≥500	
Material & Plating		
	Material	Plating
Body	Brass	Au
Insulator	PTFE	-
Center Conductor	Beryllium bronze	Au
Resistant Contact	Phosphor bronze	Au
Sealing cap	Brass	Au
Ferrule	Annealed copper	Ni
Environmental		
Temperature Range	-40°C~+85°C	
RoHS	Compliant Yes	
Waterproof Rate	IP 68	