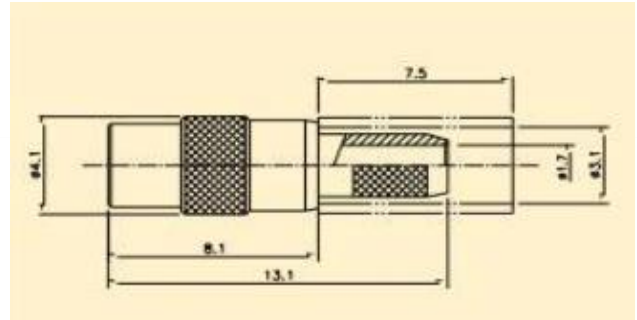


MMCX Female For RG316, RG174



Electrical & Mechanical Specifications		
Frequency Range	DC-6GHz	
Characteristic Impedance	50 Ω	
VSWR	1.30:1	
Insulation Resistance	1000 MΩ Min	
Voltage Rating	170 Vrms	
Connector Retention	500 Cycles Min	
Contact Resistance	Center Contact ≤ 5.0 mΩ Outer Contact ≤ 2.5mΩ	
Durability	Mating cycles ≥500	
Cable Type	RG174 , RG316	
Material & Plating		
	Material	Plating
Body	Brass	Au
Insulator	PTFE	-
Ferrule	Brass	Ni
Environmental		
Temperature Range	-65°C~+85°C	
RoHS	Compliant Yes	
Waterproof Rate	IP 68	