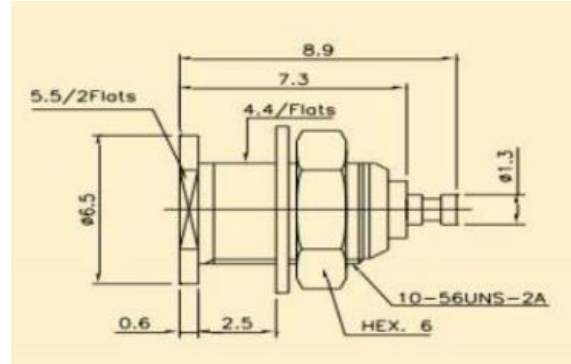
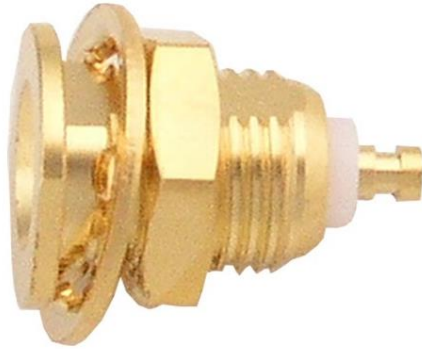


MCX Female BH Receptacle



Electrical & Mechanical Specifications		
Frequency Range	DC-6GHz	
Characteristic Impedance	50 Ω	
VSWR	1.30:1 Max	
Insulation Resistance	1000 MΩ Min	
Voltage Rating	170 Vrms	
Connector Retention	500 Cycles Min	
Contact Resistance	Center Contact ≤ 5.0 mΩ Outer Contact ≤ 1.0 mΩ	
Insertion Loss	0.1 dB Max at 1 GHz	
Material & Plating		
	Material	Plating
Body	Brass	Au
Insulator	PTFE	-
Center Conductor	Beryllium bronze	Au
Resistant Contact	Phosphor bronze	Au
Sealing cap	Brass	Au
Ferrule	Annealed copper	Ni
Spacer	PTFE	-
Environmental		
Temperature Range	-40°C~+85°C	
RoHS	Compliant Yes	
Waterproof Rate	IP 68	