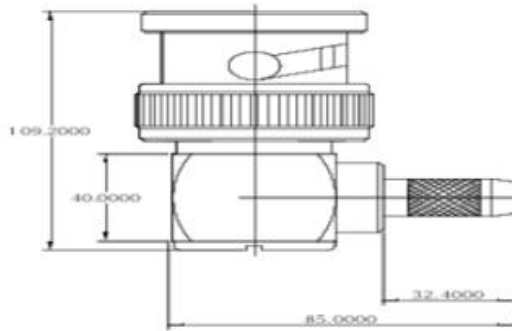


# SRFS TELEINFRA

Get connected with us:



## BNC(M) RA RG58, RG223, LMR200



Electrical & Mechanical Specifications	
Frequency Range	DC-4 GHz
Voltage Rating	500 Vrms
Mating life	500 Mating
Insertion Loss	0.5 dB max at 3 GHz
Characteristic Impedance	50 Ω
Coupling Nut Torque	0.07 Nm min ~ 0.25 Nm max
Material & Plating	
Body	Brass / Nickel Plating
Insulator	PTFE
Contact	Be – Cu / Gold Plating
Ferrule	Brass / Nickel Plating
Cable Type	RG58, RG223, LMR200
Environmental	
Temperature Range	-65 ° C ~ 85 ° C
RoHS	Compliant Yes

Add: plot no 10 shiv vihar a block Najafgarh Sahibi river road Vikasnagar Uttam nagar new delhi-110059

+91 84354 74330 info@srfsteleinfra.in, aayush@srfsteleinfra.in, srfsteleinfra@gmail.com

www.srfsteleinfra.in, www.srfsteleinfra.com

SRFS Teleinfra | All specifications are subject to change.  
SRFS reserves the right to make such changes as required. Unless otherwise stated, all specifications are nominal.  
It may be necessary to make modifications to the part and/or the documentation of the part to implement improvements.  
See www.srfsteleinfra.in for the most current information. Revised: 19 Jan 2023

