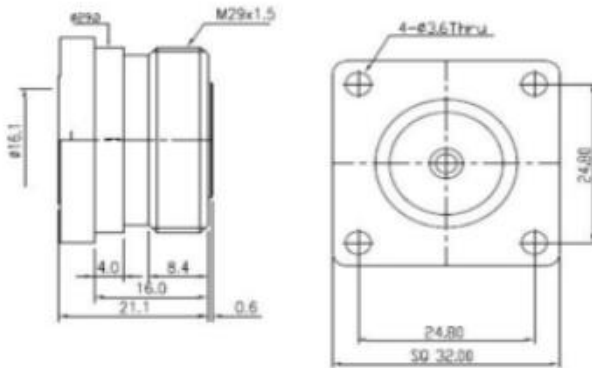


SRFS TELEINFRA

Get connected with us:



7/16 Din Male 4H (32mm) Flange Solder Pot



Electrical & Mechanical Specifications		
Frequency Range	DC-7.5 GHz	
Characteristic Impedance	50 Ω	
VSWR	≤1.25 @DC-3GHz; ≤1.35 @DC-6GHz;	
Dielectric Withstanding Voltage	≥2500Vrms at Sea Level	
Working Voltage	1000 Vrms at Sea Level	
Contact Resistance	Center Contact ≤ 1.0 mΩ Outer Contact ≤ 0.25 mΩ	
Dielectric Resistance	≥5000MΩ	
Durability	Mating cycles≥500	
Material & Plating		
	Material	Plating
Body	Brass	Ni
Insulator	PTFE	-
Center Conductor	Beryllium Copper	Ag
Environmental		
Temperature Range	-40°C~+85°C	
RoHS	Compliant Yes	
Waterproof Rate	IP 68	

Add: plot no 10 shiv vihar a block Najafgarh Sahibi river road Vikasnagar Uttam nagar new delhi-110059

+91 84354 74330 info@srfsteleinfra.in, aayush@srfsteleinfra.in, srfsteleinfra@gmail.com

www.srfsteleinfra.in, www.srfsteleinfra.com

SRFS Teleinfra | All specifications are subject to change.
SRFS reserves the right to make such changes as required. Unless otherwise stated, all specifications are nominal.
It may be necessary to make modifications to the part and/or the documentation of the part to implement improvements.
See www.srfsteleinfra.in for the most current information. Revised: 19 Jan 2023

