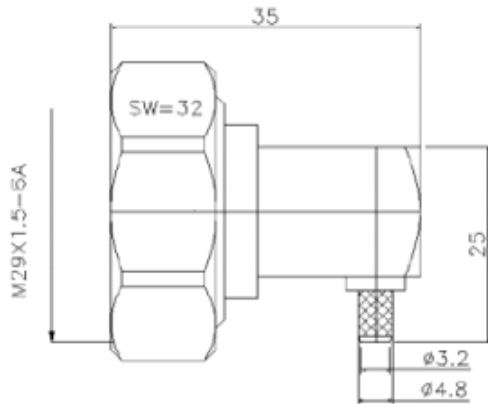


7/16 DIN Male Right Angle Crimp Connector for LMR200 Cable



Electrical & Mechanical Specifications		
Frequency Range	DC 7.5 GHz	
Characteristic Impedance	50 Ω	
VSWR	≤1.20@DC-3000MHz	
Dielectric Withstanding Voltage	4000V rms,50Hz,at sea level	
RF Power	3KW(max)	
Working Voltage	2700V RMS,50Hz,at sea level	
Test Voltage DC	2000 V	
Dielectric Resistance	≥10000MΩ	
Contact Resistance	Center Contact ≤0.4mΩ Outer Contact ≤1.0mΩ	
Durability	Mating cycles ≥500	
Material & Plating		
	Material	Plating
Body	Brass	Ni
Insulator	PTFE	-
Center Conductor	Phosphor bronze	Ag
Ferrule	Annealed copper	Ni
Gasket	Silicone rubber	-
Coupling nut	Brass	Ni
Sealing cap	Brass	Ni
Environmental		
Temperature Range	-40°C~+85°C	
RoHS	Compliant Yes	
Waterproof Rate	IP 67	