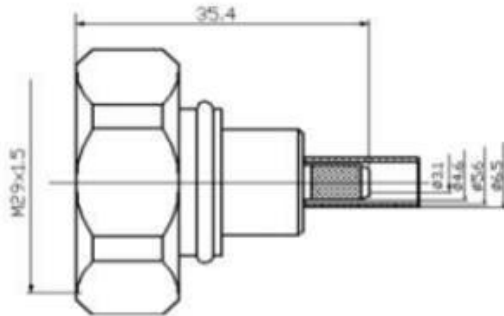


## 7/16 DIN Male LMR 200 Crimp Connector



Electrical & Mechanical Specifications		
Frequency Range	DC 7.5 GHz	
Characteristic Impedance	50 $\Omega$	
VSWR	$\leq 1.10@DC-3000MHz$	
Insertion Loss	$\leq 0.10dB@2200MHz$	
Intermodulation 3rd	$\leq -157dBc@2 \times 20W$	
Dielectric Withstanding Voltage	4000V rms,50Hz, at sea level	
Working Voltage	2700V RMS,50Hz, at sea level	
Dielectric Resistance	$\geq 10000M\Omega$	
Contact Resistance	Center Contact $\leq 0.4m\Omega$ Outer Contact $\leq 1.0m\Omega$	
Durability	Mating cycles $\geq 500$	
Material & Plating		
	Material	Plating
Body	Brass	Ni
Insulator	PTFE	-
Center Conductor	Phosphor bronze	Ag
Environmental		
Temperature Range	$-40^{\circ}C \sim +85^{\circ}C$	
RoHS	Compliant Yes	