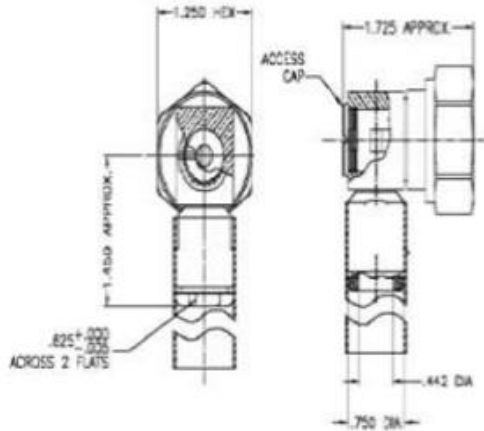


## 7/16 DIN M RA for LMR 400 Crimp Connector



Electrical & Mechanical Specifications		
Frequency Range	DC 7.5 GHz	
Characteristic Impedance	50 Ω	
VSWR	≤1.10@DC-3000MHz	
Insertion Loss	≤0.10dB@2200MHz	
Intermodulation 3rd	≤ -157dBc@2×20W	
Dielectric Withstanding Voltage	4000V rms,50Hz, at sea level	
Working Voltage	2700V RMS,50Hz, at sea level	
Dielectric Resistance	≥10000MΩ	
Contact Resistance	Center Contact ≤0.4mΩ Outer Contact ≤1.0mΩ	
Durability	Mating cycles ≥500	
Material & Plating		
	Material	Plating
Body	Brass	Tri-alloy
Insulator	PTFE	-
Center Conductor	Phosphor bronze	Ag
Environmental		
Temperature Range	-40°C~+85°C	
RoHS	Compliant Yes	