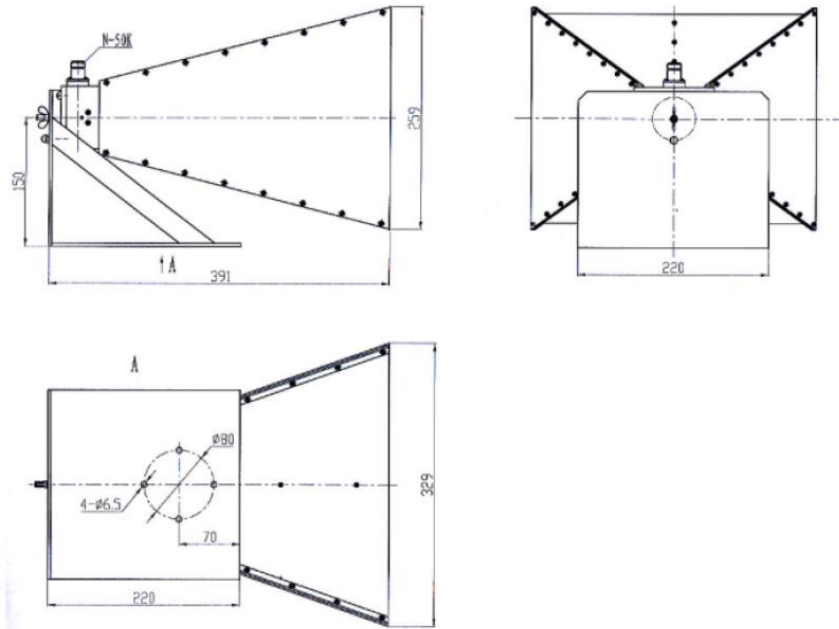


Wideband Dual-ridged Horn Antenna

SRFS2080DRHA13NZ



Electrical & Mechanical Specification

Frequency Range	2-8 GHz
VSWR (Max)	2.5
Gain (Avg)	15 dB
Polarization	Linear Polarization
Input Impedance	50 Ohm
Connector type	N Female
Material	Aluminum
Inside Finish	Chromate Conversion
Outside Finish	Anticorrosion grey paint