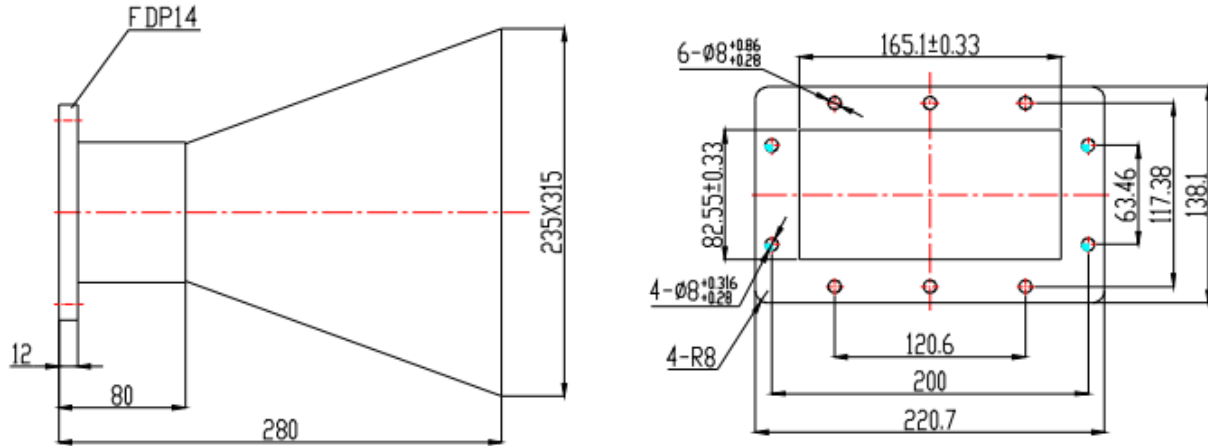


SRFS TELEINFRA

Get connected with us:



Standard Gain Horn Antenna Model No.- SRFS-14SG-HA15



Electrical and Mechanical Specifications	
Impedance	50 ohms
Frequency Range	1.13-1.73 GHz
VSWR	1.50
Gain (Avg)	15 dB
Waveguide type	WR650
Flange type	FDP14 (Cover)
Material	Aluminum
Inside finish	Chromate conversion
Outside finish	Anticorrosion grey paint
Waveguide type	WR650

Add: plot no 10 shiv vihar a block Najafgarh Sahibi river road Vikasnagar Uttam nagar new delhi-110059

+91-9027232570, +91-8800726650, +91 8076749052 info@srfsteleinfra.in, info@srfsteleinfra.com, srfsteleinfra@gmail.com

www.srfsteleinfra.in, www.srfsteleinfra.com

SRFS Teleinfra | All specifications are subject to change.
SRFS reserves the right to make such changes as required. Unless otherwise stated, all specifications are nominal.
It may be necessary to make modifications to the part and/or the documentation of the part to implement improvements.
See www.srfsteleinfra.in for the most current information. Revised: 19 Jan 2023

