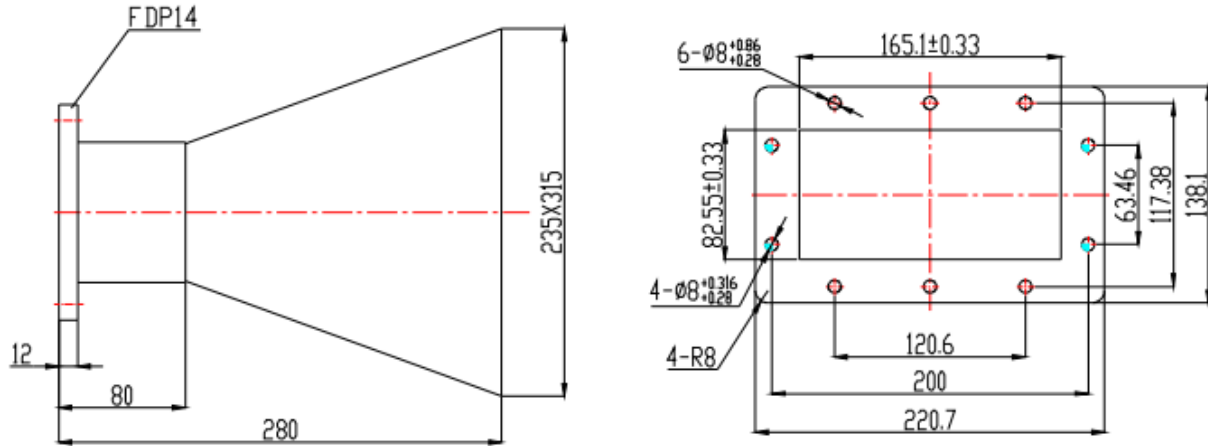


SRFS TELEINFRA

Get connected with us:



Standard Gain Horn Antenna Model No.- SRFS-14SG-HA10



| Electrical and Mechanical Specifications | |
|--|--------------------------|
| Impedance | 50 ohms |
| Frequency Range | 1.13-1.73 GHz |
| VSWR | 1.50 |
| Gain (Avg) | 10 dB |
| Waveguide type | WR650 |
| Flange type | FDP14 (Cover) |
| Material | Aluminum |
| Inside finish | Chromate conversion |
| Outside finish | Anticorrosion grey paint |
| Waveguide type | WR650 |

Add: plot no 10 shiv vihar a block Najafgarh Sahibi river road Vikasnagar Uttam nagar new delhi-110059

+91-9027232570, +91-8800726650, +91 8076749052 info@srfsteleinfra.in, info@srfsteleinfra.com, srfsteleinfra@gmail.com

www.srfsteleinfra.in, www.srfsteleinfra.com

SRFS Teleinfra | All specifications are subject to change.
SRFS reserves the right to make such changes as required. Unless otherwise stated, all specifications are nominal.
It may be necessary to make modifications to the part and/or the documentation of the part to implement improvements.
See www.srfsteleinfra.in for the most current information. Revised: 19 Jan 2023

