

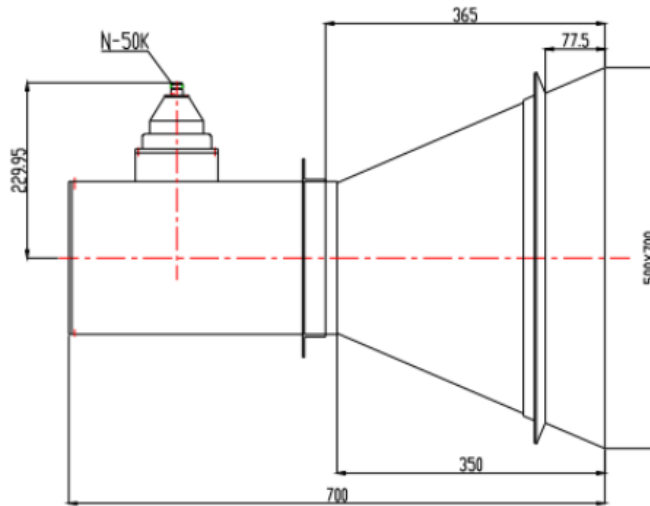
SRFS TELEINFRA

Get connected with us:



Standard Gain Horn Antenna 0.49-0.75GHz

SRFS6SGAH10NK



Mechanical Specifications	
Waveguide type	WR1500
Material	Aluminum
Flange type	Material
Inside finish	Chromate conversion
Connector Type	N Female
Outside finish	Anticorrosion grey paint
Electrical Specifications	
Frequency Range	0.49-0.75GHz
VSWR (Max)	1.50
Gain (Avg)	10dB

Add: plot no 10 shiv vihar a block Najafgarh Sahibi river road Vikasnagar Uttam nagar new delhi-110059

+91 84354 74330 info@srfsteleinfra.in, aayush@srfsteleinfra.in, srfsteleinfra@gmail.com

www.srfsteleinfra.in, www.srfsteleinfra.com

SRFS Teleinfra | All specifications are subject to change.
SRFS reserves the right to make such changes as required. Unless otherwise stated, all specifications are nominal.
It may be necessary to make modifications to the part and/or the documentation of the part to implement improvements.
See www.srfsteleinfra.in for the most current information. Revised: 19 Jan 2023

