

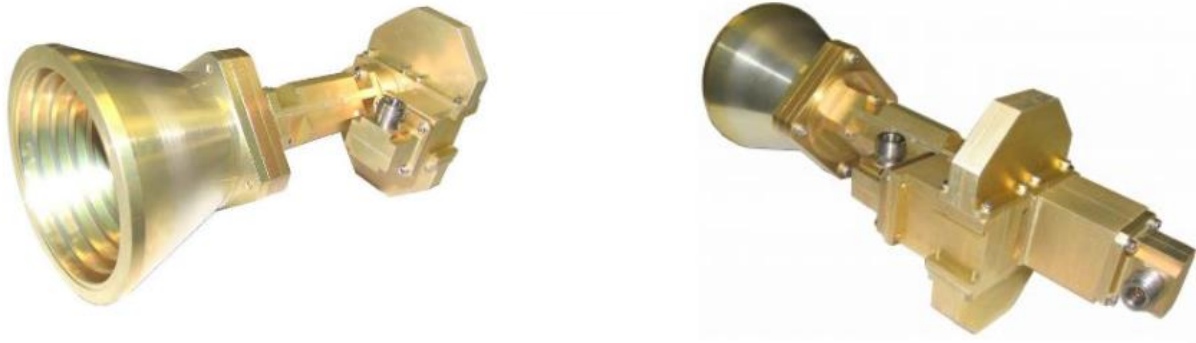
SRFS TELEINFRA

Get connected with us:

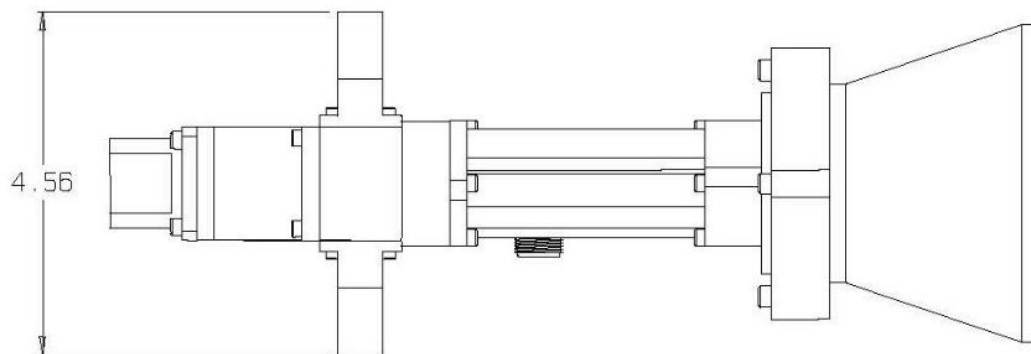


Dual Circular Polarization Horn Antenna

SRFS10180DCPHA3S



Electrical & Mechanical Specifications	
Frequency Range	1-18 GHz
VSWR (Max)	2.5
Gain (Avg)	3 dB
Axial ratio (Max)	5 dB
Beamwidth (Min)	10°
Polarization	Dual Circular Polarization
Connector type	SMA Female
Material	Aluminum
Inside finish	Chromate conversion
Outside finish	Anticorrosion grey paint



Add: plot no 10 shiv vihar a block Najafgarh Sahibi river road Vikasnagar Uttam nagar new delhi-110059

+91 84354 74330 info@srfsteleinfra.in, aayush@srfsteleinfra.in, srfsteleinfra@gmail.com

www.srfsteleinfra.in, www.srfsteleinfra.com

SRFS Teleinfra | All specifications are subject to change.
SRFS reserves the right to make such changes as required. Unless otherwise stated, all specifications are nominal.
It may be necessary to make modifications to the part and/or the documentation of the part to implement improvements.
See www.srfsteleinfra.in for the most current information. Revised: 19 Jan 2023

