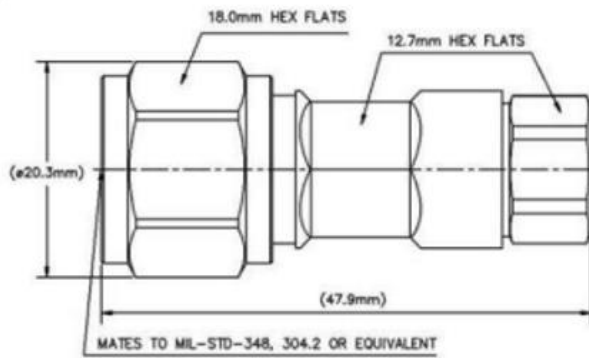


SRFS TELEINFRA

Get connected with us:



N Male 1/4" Super Flex Connector



Electrical & Mechanical Specifications		
Frequency Range	DC 7.5 GHz	
Characteristic Impedance	50 Ω	
VSWR	≤1.10@DC-3GHz	
Dielectric Withstanding Voltage	2500Vrms, 50 Hz at sea level	
Test Voltage DC	2000 V	
Dielectric Resistance	≥5000MΩ	
Contact Resistance	Center Contact ≤ 1 mΩ Outer Contact ≤ 0.25 mΩ	
Average Power	0.6 KW @ 900 MHz	
Peak Power	10.00 KW	
Durability	Mating cycles ≥500	
Material & Plating		
	Material	Plating
Body	Brass	Ni
Insulator	PTFE	-
Center conductor	Phosphor Copper	Au
Environmental		
Temperature Range	-40°C~+85°C	
RoHS	Compliant Yes	

Add: plot no 10 shiv Vihar a block Najafgarh Sahibi river road Vikas Nagar Uttam nagar new delhi-110059

+91-9027232570, +91-8800726650, +91 8076749052 info@srfsteleinfra.in, info@srfsteleinfra.com, srfsteleinfra@gmail.com

www.srfsteleinfra.in, www.srfsteleinfra.com

