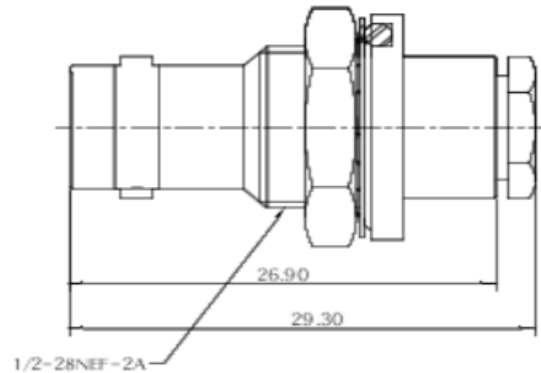


BNC(F) Bulkhead RG58, RG223, LMR200 Part No. SRFS- BNCFBHCL-04



Electrical & Mechanical Specifications		
Frequency Range	DC-4GHz	
Voltage Rating	500 Vrms	
Mating life	500 Mating	
Insertion Loss	0.3 dB max at 3 GHz	
Characteristic Impedance	50 Ω	
Coupling Nut Torque	0.07 Nm min ~ 0.25 Nm max	
Material & Plating		
Body	Brass	Nickel Plating
Insulator	PTFE	
Contact	Be Cu	Gold Plating
Ferrule	Brass	Nickel Plating
Cable Type	RG58, RG223, LMR200	
Environmental		
Temperature Range	-65 ° C ~ 85 ° C	
Water Proof Rate	IP67	
RoHS	Compliant Yes	