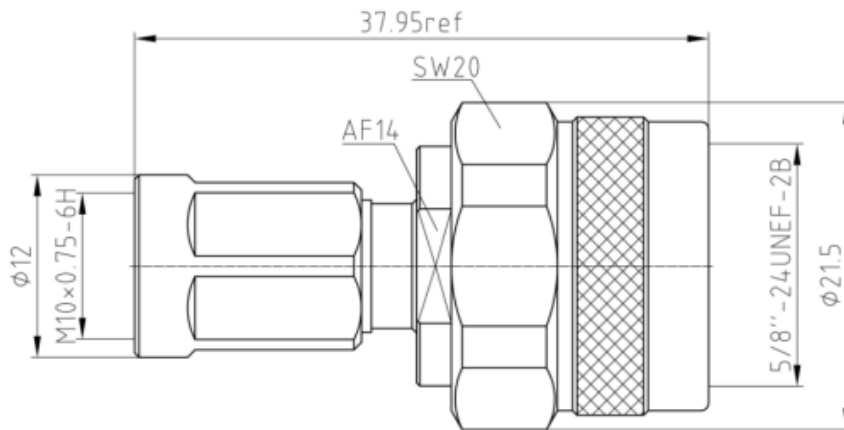




Low PIM N Male to NEX10 Male Adapter



ELECTRICAL SPECIFICATIONS	
Impedance	50 ohm
Frequency Range	DC-6 GHz
VSWR	1.25 max
PIM (Intermod)	-160dBc min with 2x20W tones
Operating Temp	-40°C ~ +125°C
RoHS	Compliant
MATERIAL & PLATING	
Connector Body	Ternary alloy plated brass
Center Contact	Silver plated brass
Insulator	PTFE
Weight	35g

