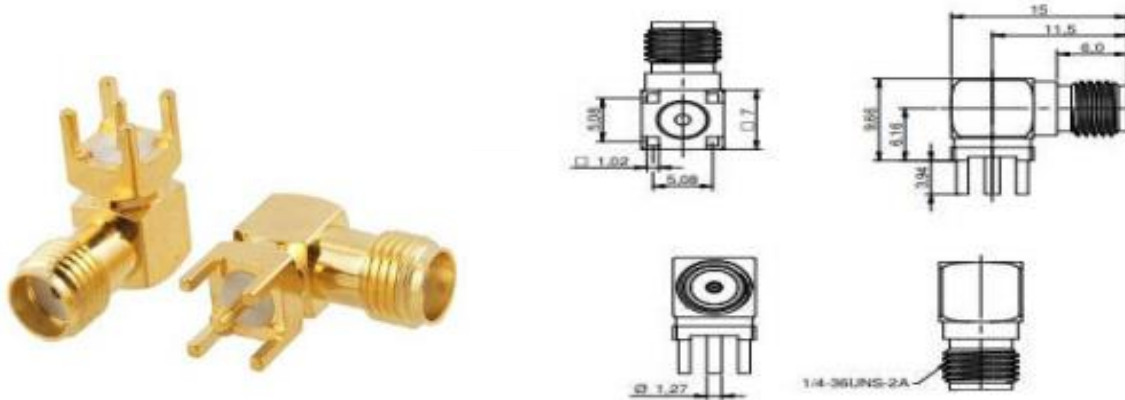


## SMA Female RA Connector for P.C.B Mount (SRFS-SMAFRAPCB-012)



ELECTRICAL & MECHANICAL SPECIFICATIONS		
Frequency Range	DC-12.4GHz	
VSWR (max)	≤1.10@DC-3GHz	
Dielectric Withstanding Voltage	1000Vrms, 50 Hz at sea level	
Working Voltage	335V RMS, 50Hz, at sea level	
Characteristic Impedance	50 Ω	
Contact Resistance	Center Contact ≤3.0mΩ Outer Contact ≤2.5mΩ	
Dielectric Resistance	≥5000MΩ	
Durability	Mating Cycles ≥500	
Material & Plating		
	Material	Plating
Body	Brass	Au
Insulator	PTFE(Teflon)	-
Center conductor	Phosphor bronze	Au
Environmental		
Temperature Range	-40°C~+85°C	
RoHS	Compliant Yes	