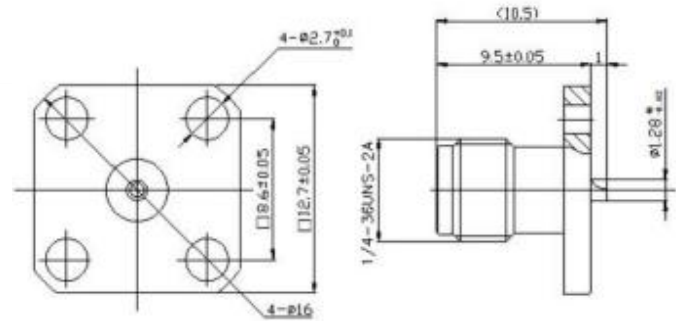


## SMA Female 4H Flange Solder Pot (SRFS-SMAF4H12.7)



ELECTRICAL & MECHANICAL SPECIFICATIONS		
Frequency Range	DC-11GHz	
VSWR (max)	≤1.20@DC-3GHz	
Dielectric Withstanding Voltage	≥2500V RMS,50Hz,at sea level	
Working Voltage	1000Vrms,50 Hz at sea level	
Characteristic Impedance	50 Ω	
Contact Resistance	Center Contact ≤ 1.0 mΩ Outer Contact ≤ 0.25 mΩ	
Dielectric Resistance	≥5000MΩ	
Durability	Mating Cycles ≥500	
Material & Plating		
	Material	Plating
Body	Brass	Ni
Insulator	PTFE	-
Center conductor	Phosphor bronze	Au
Environmental		
Temperature Range	-40°C~+155°C	
Waterproof Rate	IP 68	
RoHS	Compliant Yes	