

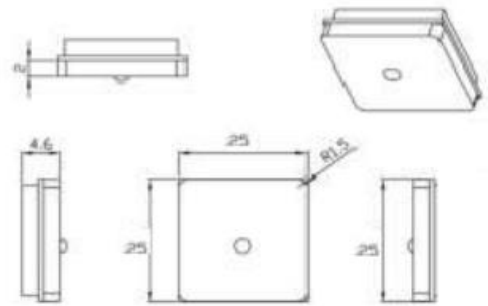
# SRFS TELEINFRA

Get connected with us:



## GPS Internal Antenna (25mm\* 25mm)

### Model No. SRFS- IGPS28C -60



Technical Specifications	
Frequency Range	1575.42 +/- 3
Gain	25 ~ 28 dBI
VSWR	2.0:1
Band Width	5 MHz min @ S11-10 dB
Polarization	Right Hand Circular
Noise Figure	1.5 Typ
Impedance	50 Ohm
Supply Voltage	3V~ 5V
Lightning Protection	DC Ground
Current Consumption	7.5 mA @ 5V DC
Mechanical Specifications	
Connector	IPEX or Customized
Cable	1.13 or Customized (60mm)
Radom Color	Black
Radom Material	ABS/PP
Environmental Friendly	ROHS Compliant
Operating Temperature (°C)	-40°C ~ 60°C
Humidity	10~95 %

Add: plot no 10 shiv vihar a block Najafgarh Sahibi river road Vikasnagar Uttam nagar new delhi-110059

+91 7838349349, +91 8076749052 info@srfsteleinfra.in, info@srfsteleinfra.in, srfsteleinfra@gmail.com

www.srfsteleinfra.in, www.srfsteleinfra.com

SRFS Teleinfra | All specifications are subject to change.  
SRFS reserves the right to make such changes as required. Unless otherwise stated, all specifications are nominal.  
It may be necessary to make modifications to the part and/or the documentation of the part to implement improvements.  
See www.srfsteleinfra.in for the most current information. Revised: 19 Jan 2023

