

SRFS TELEINFRA

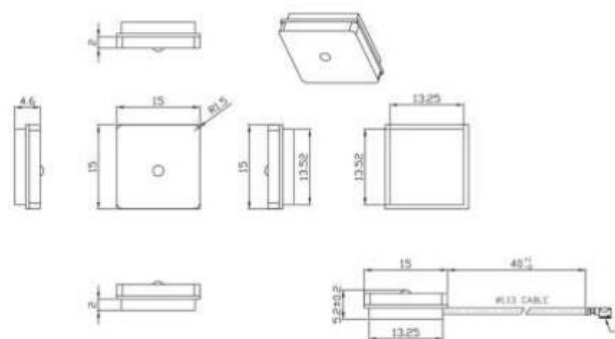
Get connected with us:



GPS Internal Antenna (15mm*

15mm*6.5mm) Model No.SRFS- IGPS28C -

60



Technical Specifications	
Frequency Range	1575.42 +/- 3
Gain	25 ~ 28 dBI
VSWR	2.0:1
Band Width	5 MHz min @ S11-10 dB
Polarization	Right Hand Circular
Noise Figure	1.5 Typ
Impedance	50 Ohm
Supply Voltage	3V~ 5V
Lightning Protection	DC Ground
Current Consumption	7.5 mA @ 5V DC
Mechanical Specifications	
Connector	IPEX or Customized
Cable	1.13 or Customized (60mm)
Radom Color	Black
Radom Material	ABS/PP
Environmental Friendly	ROHS Compliant
Operating Temperature (°C)	-40°C ~ 60°C
Humidity	10~95 %

