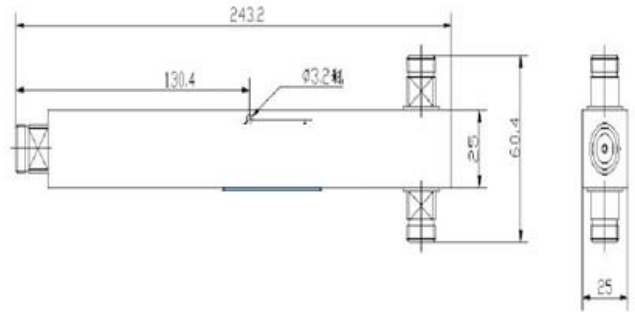


# SRFS TELEINFRA

Get connected with us:



## 2 Way Power Splitter 698-4000 MHz Square Type (300W, N-F, IP65, -150dBc)



### Product Description

- Wide Frequency Band 698-4000MHz
- 2G/3G/4G/LTE/5G Coverage
- Low Passive Inter-modulation
- Low VSWR & Insertion Loss
- Indoor & Outdoor Application IP65
- Widely used for In-building Solutions.

### Electrical & Mechanical Specifications

Electrical & Mechanical Specifications	
Model No.	SRFS-738-02-NF-155S
Freq(MHz)	698-4000
Input Port Number	1
Output Port Number	2
Split Loss(dB)	3.3
IL(dB)	≤0.4
VSWR	≤1.25
3rd PIM (dBc)	≤-150dBc@2*43dBm
Average Power(W)	300
Impedance	50 ohms
Connector	N-Female
Color	Weight Black
Temp(deg)	-35~+65
Application	Indoor & Outdoor IP65
Relative Humidity	UP to -95%
Dimensions(mm)	243.2*60.4*25 (Connectors Included)

Add: plot no 10 shiv vihar a block Najafgarh Sahibi river road Vikasnagar Uttam nagar new delhi-110059

+91 84354 74330 info@srfsteleinfra.in, aayush@srfsteleinfra.in, srfsteleinfra@gmail.com

www.srfsteleinfra.in, www.srfsteleinfra.com

SRFS Teleinfra | All specifications are subject to change.  
SRFS reserves the right to make such changes as required. Unless otherwise stated, all specifications are nominal.  
It may be necessary to make modifications to the part and/or the documentation of the part to implement improvements.  
See www.srfsteleinfra.in for the most current information. Revised: 19 Jan 2023

