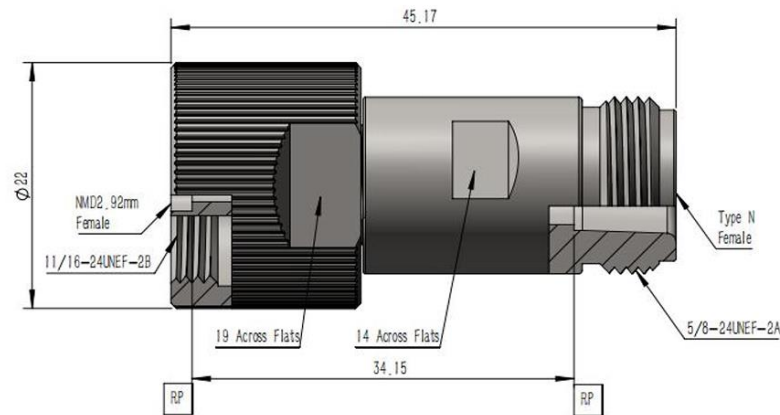


NMD2.92mmFemale to N Female Adapter



Electrical & Mechanical Specifications	
Impedance	50 ohm
VSWR	1.15 max
Frequency Range	DC-18 GHz
Operating Temp	55°C to +165°C
Connector Body	Passivated stainless steel
Center Contact	Gold plated beryllium copper
Insulator	PEI
Mate Durability	Min 2000 cycles