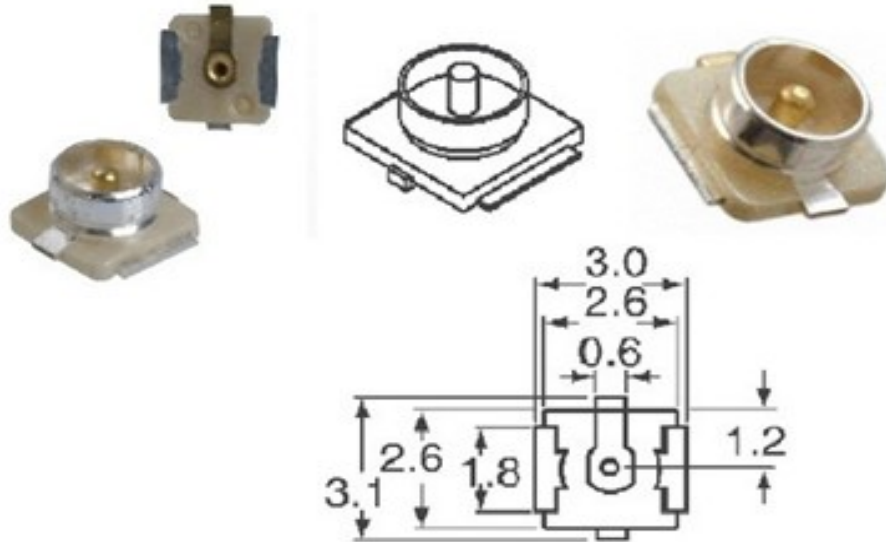


## UFL Receptacle PCB Mount Connector



Electrical & Mechanical Specifications	
Frequency:	0~6GHz
Working Voltage	200V
Impedance:	50Ω
Contact Resistance	10mA (max)
VSWR	<1.4
Body Metal Parts	Brass With Gold Plated
Center Contact	Phosphor Bronze with Gold Plated
Insulator	PTFE
Operating Temperature:	-40°C TO +90°C