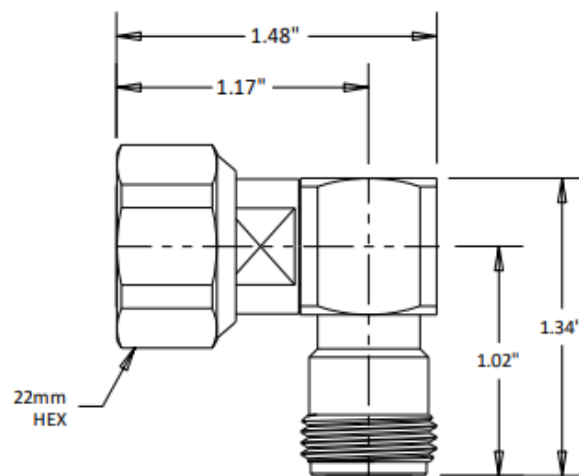


# SRFS TELEINFRA

## 4.3/10 Male to N Female Right Angle Adapter



Electrical, Mechanical & Environmental Specification	
Frequency	0-6 GHZ
VSWR	1.30 Max
Impedance	50 Ohms
PIM(3rd)	-163 dBc Max with 2 CW Tones @ 43 dBm
4.3/10 Interface Per	IEC 61169-54
N Interface per	MIL-STD-348B
Operating Temperature	-45°C to +125°C
Material & Plating	
Body	Tri-Alloy plated Brass
Contacts	BeCu
Contact Plating	Silver
Dielectric	PTFE
ROHS Compliant	Yes



Add: plot no 10 shiv vihar a block Najafgarh Sahibi river road Vikasnagar Uttam nagar new delhi-110059  
+91-9027232570, +91-8800726650, +91 8076749052 info@srfsteleinfra.in, info@srfsteleinfra.com, srfsteleinfra@gmail.com  
www.srfsteleinfra.in, www.srfsteleinfra.com

SRFS Teleinfra | All specifications are subject to change.  
SRFS reserves the right to make such changes as required. Unless otherwise stated, all specifications are nominal.  
It may be necessary to make modifications to the part and/or the documentation of the part to implement improvements.  
See www.srfsteleinfra.in for the most current information. Revised: 19 Jan 2023

