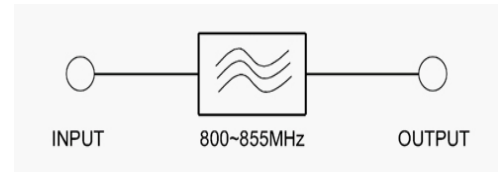


SRFS TELEINFRA

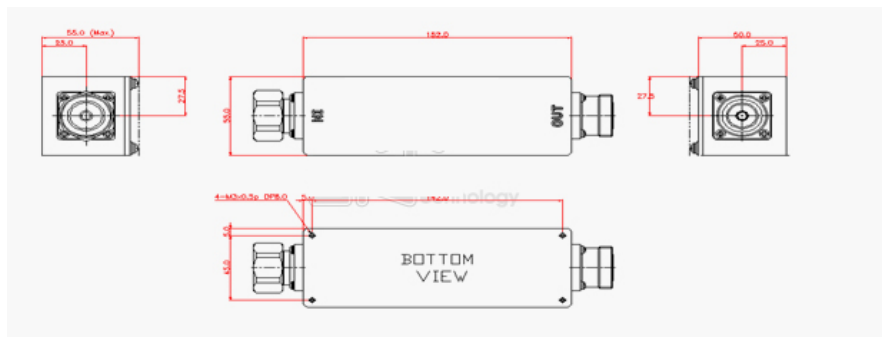
Band Pass Filter / 800~855MHz



Description:

Filter is the core product out of RF passive products. Filter is more important than any other passive components in the repeater and the base station, even though other components are important. As the system operators all over the world use different frequencies, and there are quite a lot of signals in the air for televisions, military use, weather research and other purposes. The most important role of the filter is to select desired signals for use. Filter is very the most applied module in RF system. There are lots of filters based on the kinds of applications.

Electrical & Mechanical Specifications	
Center Frequency	827.5MHz
Frequency Range	800~855MHz
Insertion Loss in BW	1.0 max.
Return Loss	18.0 min
Rejection	60 min. @ 1030~3000 MHz
PIMD	-156 min.@2x43dBm Measured at 842MHz (800MHz and 821MHz)
Power handling	100 max.
Impedance	50
Operation Temperature	-40 ~ +85
Connector	IN: 7/16 DIN Male, OUT: 7/16 DIN Female
Environment Condition	IP67
Finish	Black Epoxy Painting



Plot no 10 Shiv Vihar A Block Najafgarh Nala Road Vikasnagar Uttam Nagar New Delhi-110059

+91-9027232570, +91-7838349349 ✉ info@srfsteleinfra.in, info@srfsteleinfra.com

🌐 www.srfsteleinfra.in